



# Fort Worth Museum of Science & History

Fort Worth, Texas

*clever. creative. comfort.*

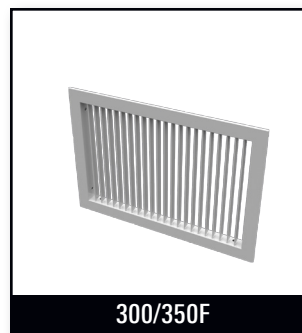
Client - Fort Worth Museum of Science & History  
 Representative Office - ADW Corporation  
 Architect - Legorreta + Legorreta / Bennett, Benner, Pettit  
 LEED Certification - None



## ABOUT THE PROJECT

A place for many generations to come learn, explore and have fun, that is the premise behind the Fort Worth Museum of Science & History. The museum has a rich history that spans over sixty years in which it has offered numerous activities for the community, impressive exhibits and created an extraordinary learning environment for everyone to grow and develop. As the years past and the exhibits increased, the museum's popularity grew to an unprecedented level. Bigger facilities were required to not only accommodate the ever-growing visitors, but the newer and innovative interactive exhibits that were on display.

The design team created an impressive building that utilizes many sustainable elements throughout. The large open spaces make good use of the natural light that penetrates into the museum. The Urban Latern, the signature and most recognizable structure within the facility, is located in the main entrance. It is a 76 feet tall glass and stone tower that takes your breath away either during the day or night. Rain water is harvested through cisterns which is then repurposed for irrigation. The museum is also comprised of several thousand pounds of recycled material ranging from copper wire to concrete.



# Fort Worth Museum of Science & History

Fort Worth, Texas

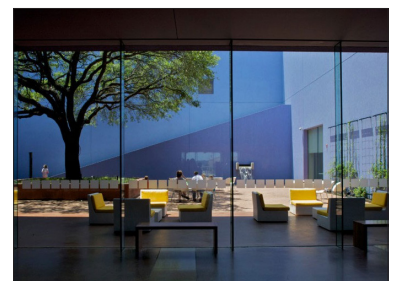
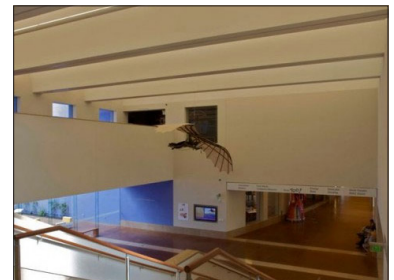


## THE TITUS SOLUTION

Titus has hundreds of air distribution products featured in the Fort Museum of Science & History. The main products selected were the 300/350F grille, the FlowBar diffuser, the MPI plenum, and the TDCA-AA diffuser.

Our 300/350F supply grilles define the standard for the HVAC industry. With high quality and competitive pricing, these grilles form the backbone of a standard offering that will meet any application requirements. These grilles have a variety of blade options to choose from. The Titus FlowBar architectural linear diffuser system maximizes engineering performance without sacrificing aesthetic considerations for the designer. FlowBar's outstanding performance allows for higher airflows than conventional linear diffusers. The wide array of slot widths allow more CFM per linear foot while minimizing noise and pressure loss. The Flowbar system is available in continuous linear, incremental linear and square configurations.

The Titus MP is an optional plenum for use with the ML modular series which is also a product selected for the museum. When combined with the ML diffuser, the MP provides a tight horizontal air pattern that clings to the ceiling even at low volumes. Our TDCA-AA diffusers are capable of handling an unusually large amount of air for a given pressure drop and noise level. Their pleasing appearance harmonizes with various architectural details, especially in modular ceiling systems.



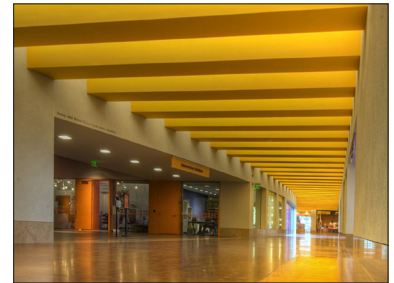
# Fort Worth Museum of Science & History

Fort Worth, Texas



## THE END RESULT

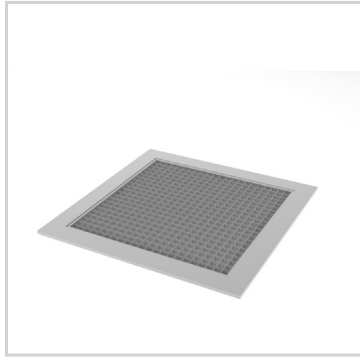
The revitalized and expanded Fort Worth Museum of Science & Technology has always been a welcomed addition to the arts district. Other renowned architects such as Philip Johnson, Luis Kahn and Tadao Ando have designed buildings for the arts district as well. With their new facility complete, the museum can continue to entertain its international audience with unique exhibits that the young and old will enjoy for many years to come.



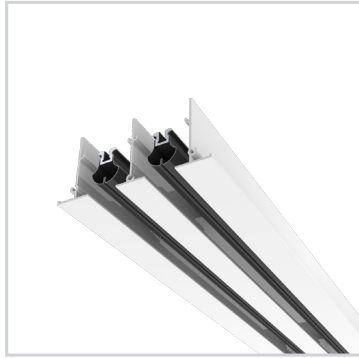
# Fort Worth Museum of Science & History

Fort Worth, Texas

## Titus Products List



50F



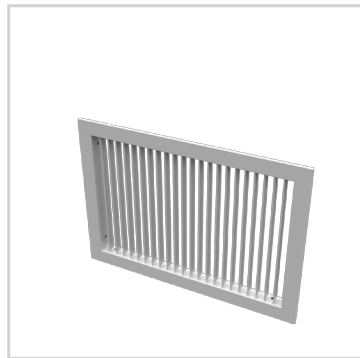
ML



FlowBar



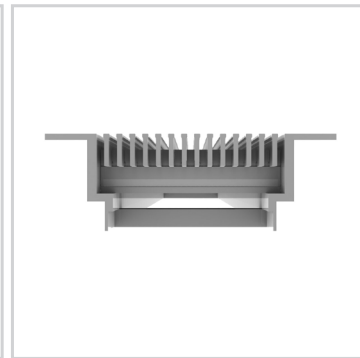
MPI



300/350F



TDCA-AA



CT



TBDI-30

Address - 605 Shiloh Rd Plano Texas 75074

Office - 972.212.4800

Fax - 972.212.4877

E-mail - [titus@titus-hvac.com](mailto:titus@titus-hvac.com)

Websites - [www.titus-hvac.com](http://www.titus-hvac.com) | [www.titus-energysolutions.com](http://www.titus-energysolutions.com)

© Copyright Titus 2012 | All rights reserved

